

## AC Fan

# 172mm

## A15155 AC

55mm thick ( Eye type )  
 38mm thick ( Sidecut type )  
 51mm thick ( Sidecut type )



### General Specifications

Material	Aluminum Housing, Plastic Impeller
Bearings	Maintenance-Free Ball Bearings
Motor Type	AC Induction Capacitor
Connection	Terminals or Lead wire
Dielectric Strength	1800 VAC for 1 Sec.
Insulation Resistance	100 MΩ min.@500VDC
Operating Temperature	-20°C to +70°C
Type of Protection	Insulation Class B, F, IP54
Safety	Thermally Protected (Auto Restart)



- Plastic Impeller
- Weight : 950 g \*  
820 g
- Rohs Compliance

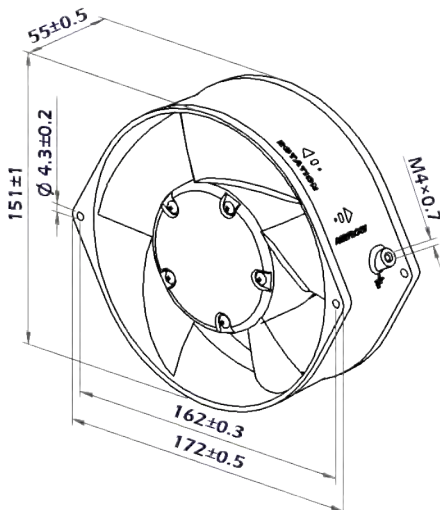
**172 x 151 x 55 mm** ‹ Super Speed ›  
 ‹ High Speed ›

### Specifications

Model No.	Voltage Vac	Freq Hz	Current A	Power W	Speed rpm	Pressure mmAq	Air Flow CFM	Noise dB	TUV	UL	CE
* A15155-V1SBxP	115	50/60	0.28/0.24	27/27	2800/3300	14.0/18.0	220/250	55/61	√	√	√
* A15155-V2SBxP	230		0.11/0.12	24/27							
A15155-V1HBxP	115		0.25/0.23	27/27	2650/3050	12.5/13.5	210/240	53/59			
A15155-V2HBxP	230		0.11/0.11	26/26							

x : T (Terminals), L (Lead Wire)

### Dimensions (Unit : mm)



### Air Flow and Static Pressure

