

DC Fan

Ø172mm

A17251Ø DC

51mm thick (Round type)

51mm thick (Sidecut type)



- Plastic Impeller
- Weight : 1070 g
- Rohs Compliance

General Specifications

Material	Aluminum Housing, Plastic Impeller
Bearings	Maintenance-Free Ball Bearings
Motor Type	DC Permanent Magnet Brushless
Connection	Terminals or Lead wire
Dielectric Strength	500 VAC for 1 Min.
Insulation Resistance	100 MΩ min.@500VDC
Operating Temperature	-10°C to +70°C
Type of Protection	Insulation Class B, IP54
Safety	Locked Rotor Protection and Polarity Protection
Option	RD, FG, PWM/ Voltage(0-10 VDC), PWM/Duty(Over 1kHz from 5VDC to 48VDC)

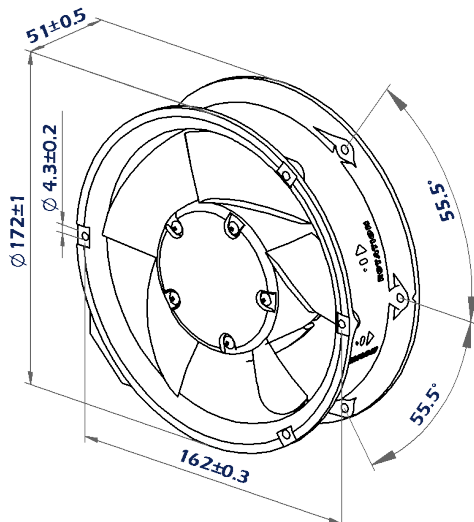
Ø172 x 51 mm

Specifications

Model No.	Voltage VDC	Current A	Speed rpm	Pressure mmAq	Air Flow CFM	Noise dB	Curve NO.	TUV UL CE		
A17251Ø-Dx7BLP	12/24/48	1.31/0.65/0.33	2800	14.5	220	52	7	√	√	√
A17251Ø-Dx8BLP		1.88/0.89/0.45	3200	18.7	255	56	8			
A17251Ø-Dx9BLP		2.75/1.21/0.60	3600	23.5	290	60	9			
A17251Ø-DxA BLP		3.73/1.69/0.79	4000	28.8	325	64	A			
A17251Ø-DxB BLP	/24/48	/2.41/1.15	4400	34.1	355	68	B	√	√	√
A17251Ø-DxC BLP		/2.94/1.48	4800	40.3	390	72	C			

x : 1 (12 VDC), 2 (24 VDC), 4 (48 VDC)

Dimensions (Unit : mm)



Air Flow and Static Pressure

