

## AC Centrifugal Fan

Ø250mm

## C25099 AC

99mm thick



### General Specifications [一般特性]

|                       |                                    |                 |
|-----------------------|------------------------------------|-----------------|
| Material              | Plastic Impeller                   | [塑膠葉片]          |
| Bearings              | Maintenance-Free Ball Bearings     | [滾珠軸承]          |
| Motor Type            | AC Induction Capacitor             | [電容式感應馬達]       |
| Connection            | Lead wire                          | [導線連接]          |
| Dielectric Strength   | 1800 VAC for 1 Sec.                | [耐壓規格]          |
| Insulation Resistance | 100 MΩ min.@500VDC                 | [絕緣阻抗]          |
| Operating Temperature | -20°C to +70°C                     | [操作環溫]          |
| Type of Protection    | Insulation Class F                 | [線圈等級]          |
| Ingress Protection    | IP54                               | [防塵防水]          |
| Safety                | Thermally Protected (Auto Restart) | [溫度開關保護(可自動回復)] |



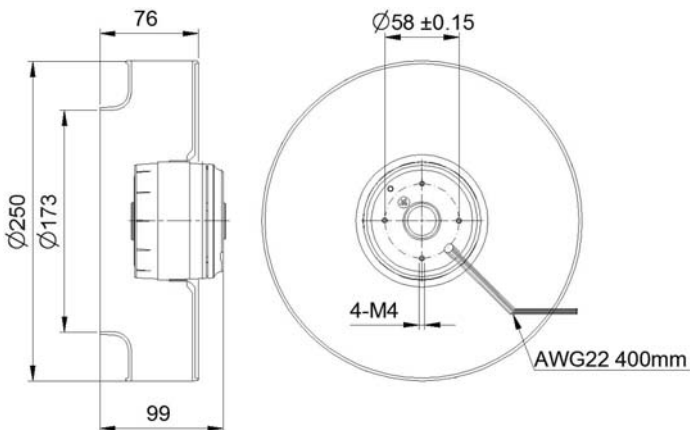
- Plastic Impeller
- Weight : 2650 g
- Rohs Compliance

Ø250 x 99 mm ‹ Super Speed ›  
[ 超高轉速 ]

### Specifications [規格表]

| Model No.<br>[型號] | Voltage<br>[電壓]<br>VAC | Freq<br>[頻率]<br>Hz | Current<br>[電流]<br>A | Power<br>[功率]<br>W | Speed<br>[轉速]<br>rpm | Pressure<br>[靜壓]<br>mmAq | Air Flow<br>[風量]<br>CFM | Noise<br>[噪音]<br>dB | Certification<br>[安規認證]<br>TUV UL CE |
|-------------------|------------------------|--------------------|----------------------|--------------------|----------------------|--------------------------|-------------------------|---------------------|--------------------------------------|
| C25099-V2SBLP     | 230                    | 50/60              | 0.64/0.83            | 135/190            | 2800/3200            | 59/82                    | 677/776                 | 77/79               |                                      |

### Dimensions (Unit : mm)



### Air Flow and Static Pressure

