

## DC Fan

# 172mm

## A15155 DC

55mm thick ( Eye type )  
 38mm thick ( Sidecut type )  
 51mm thick ( Sidecut type )



- Plastic Impeller
- Weight : 1010 g
- Rohs Compliance

### General Specifications

Material	Aluminum Housing, Plastic Impeller
Bearings	Maintenance-Free Ball Bearings
Motor Type	DC Permanent Magnet Brushless
Connection	Terminals or Lead wire
Dielectric Strength	500 VAC for 1 Min.
Insulation Resistance	100 MΩ min.@500VDC
Operating Temperature	-10°C to +70°C
Type of Protection	Insulation Class B, IP54
Safety	Locked Rotor Protection and Polarity Protection
Option	RD, FG, PWM/ Voltage( 0-10 VDC), PWM/Duty(Over 1kHz from 5VDC to 48VDC)

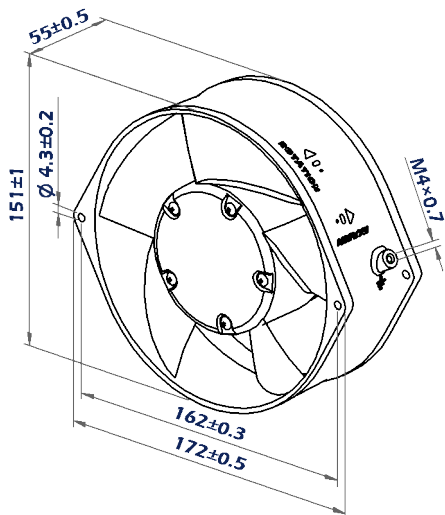
# 172 x 151 x 55 mm

### Specifications

Model No.	Voltage VDC	Current A	Speed rpm	Pressure mmAq	Air Flow CFM	Noise dB	Curve NO.	TUV UL CE		
A15155-Dx7BLP	12/24/48	1.31/0.65/0.33	2800	13.9	205	53	7			
A15155-Dx8BLP		1.88/0.89/0.45	3200	18.2	240	57	8			
A15155-Dx9BLP		2.75/1.21/0.60	3600	22.9	275	61	9			
A15155-DxA BLP		3.73/1.69/0.79	4000	28.3	310	65	A			
A15155-DxB BLP	/24/48	/2.41/1.15	4400	33.6	340	69	B			
A15155-DxC BLP		/2.94/1.48	4800	39.7	375	73	C			

x : 1 (12 VDC), 2 (24 VDC), 4 (48 VDC)

### Dimensions (Unit : mm)



### Air Flow and Static Pressure

