

150mm

## A15051 AC

51mm thick ( Square type )



- Plastic Impeller
- Weight : 920 g
- Rohs Compliance

## General Specifications [一般特性]

Material	Aluminum Housing	[鋁合金框]
	Plastic Impeller	[塑膠葉片]
Bearings	Maintenance-Free Ball Bearings	[滾珠軸承]
Motor Type	AC Induction Capacitor	[電容式感應馬達]
Connection	Terminals or Lead wire	[端子或導線連接]
Dielectric Strength	1800 VAC for 1 Sec.	[耐壓規格]
Insulation Resistance	100 MΩ min.@500VDC	[絕緣阻抗]
Operating Temperature	-20°C to +70°C	[操作環溫]
Type of Protection	Insulation Class B, F	[線圈等級]
Ingress Protection	IP54 (optional IP56, IP67 rated)	[防塵防水]
Safety	Thermally Protected (Auto Restart)	[自動回復式溫度開關安全保護]

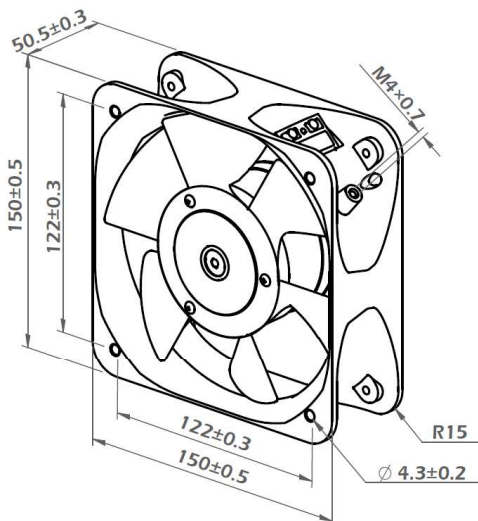
150 x 150 x 51 mm ( High Speed )  
( 高轉速 )

## Specifications [規格表]

Model No. [型號]	Voltage [電壓] Vac	Freq [頻率] Hz	Current [電流] A	Power [功率] W	Speed [轉速] rpm	Pressure [靜壓] mmAq	Air Flow [風量] CFM	Noise [噪音] dB	Certification [安規認證]		
									TUV	UL	CE
A15051-V1HBxP	115	50/60	0.25/0.23	27/27	2650/3050	14.0/15.5	210/250	53/59			
A15051-V2HBxP	230		0.11/0.11	26/26							√

x : T (Terminals 端子連接), L (Lead Wire 導線連接)

## Dimensions (Unit : mm)



## Air Flow and Static Pressure

