

DC Fan

Ø254mm

A25489 DC

89mm thick



- Steel Impeller
- Weight : 2550 g
- Rohs Compliance

General Specifications

Material	Aluminum Housing, Steel Impeller
Bearings	Maintenance-Free Ball Bearings
Motor Type	DC Permanent Magnet Brushless
Connection	Lead wire
Dielectric Strength	500 VAC for 1 Min.
Insulation Resistance	100 MΩ min.@500VDC
Operating Temperature	-10°C to +70°C
Type of Protection	Insulation Class B, IP54
Safety	Locked Rotor Protection and Polarity Protection
Option	RD, FG, PWM/ Voltage(0-10 VDC), PWM/Duty(Over 1kHz from 5VDC to 48VDC)

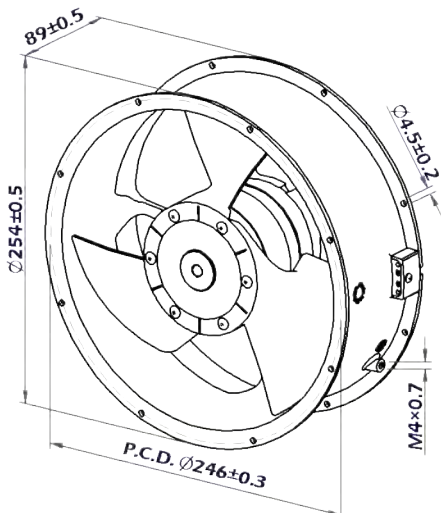
Ø254 x 89 mm

Specifications

Model No.	Voltage VDC	Current A	Speed rpm	Pressure mmAq	Air Flow CFM	Noise dB	Curve NO.	TUV	UL	CE
A25489-Dx6BLS	24/48	2.02/1.36	2500	13.1	700	59	6			

x : 2 (24 VDC), 4 (48 VDC)

Dimensions (Unit : mm)



Air Flow and Static Pressure

